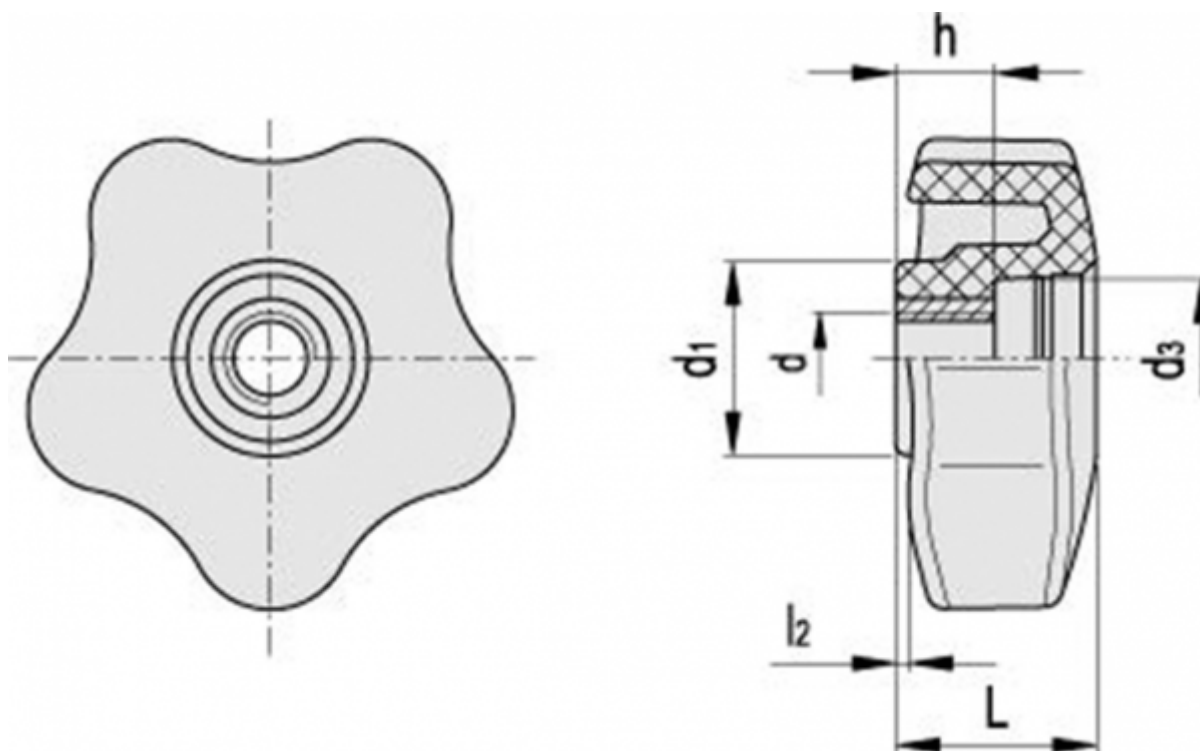


Article number: 2302169418

Description: E+G Stjernegreb VCRT.95 FP-M16

Measures



D	= 95
d1	= 32
d3	= 18
dh	= 16
h	= 15
l2	= 4.5
L	= 29.5
Weight in (g)	= 60